

DS-2CE56F7T-ITM

3 MP WDR EXIR Outdoor Turret Camera

- 1/3" (3 MP) High-Performance CMOS
- Analog HD Output
- True Day/Night
- OSD Menu, DNR, Smart IR
- True WDR, Up to 120 dB
- EXIR IR, 66 ft (20 m) Range
- IP66 Weatherproof
- Up-the-Coax (HIKVISION-C)



The Hikvision DS-2CE56F7T-ITM 3 MP WDR EXIR Turret Camera provides high definition analog output. TurboHD means that the analog signal can be sent over existing RG6 coaxial cable, eliminating the need to run new cables for high definition video.

EXIR is Hikvision's proprietary IR extended range technology, which has a range of 66 feet (20 meters). Smart IR varies IR output based on the zoom setting.

The 2.8 mm, 3.6 mm, 6 mm lens options allow for the correct angle of view to fit any situation. True 120 dB WDR (Wide Dynamic Range) ensures images will be optimal, no matter what the lighting conditions.

This camera also features a range of Smart functions, including line crossing, intrusion, and region entrance and exit, benefitting users with great improvements on security efficiency and, more importantly, with key events and objects being recorded for further forensic needs.

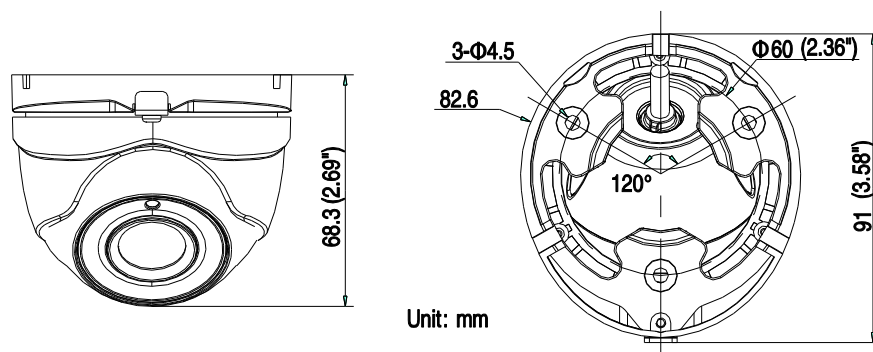
It is an outdoor IP66 camera that supports a wide temperature range.

Available Models: DS-2CE56F7T-ITM




DS-2CE56F7T-ITM	
Camera	
Image Sensor	1/3" (3 MP) CMOS image sensor
Effective Pixels	2052 x 1536
Minimum Illumination	0.01 lux @ f/1.2, AGC on, 0 lux with IR
Shutter Speed	1/25 (1/30)s to 1/50,000s
Lens	2.8 mm, 3.6 mm, 6 mm options
	Angle of view: 84° (2.8 mm), 67.8° (3.6 mm), 44.6° (6 mm)
Lens Mount	M12
Day/Night	ICR
3-Axis Positioning	Pan: 0° to 360°; tilt: 0° to 75°; rotate: 0° to 360°
Synchronization	Internal synchronization
WDR	120 dB
Video Frame Rate	1920 × 1536 @ 18 fps (PAL/NTSC)
HD Video Output	1 analog HD-TVI output
S/N Ratio	> 62 dB
Menu	
AGC	Supported
D/N Mode	Color/BW/Smart
White Balance	ATW/MWB
BLC	Supported
Functions	Wide Dynamic Range, digital noise reduction, mirror, Smart IR
General	
Operating Conditions	-40° F to 140° F (-40° C to 60° C), humidity 90% or less (non-condensing)
Power Supply	12 VDC ±15%
Power Consumption	Maximum 5 W
Protection Level	IP66
IR Range	20 m
Communication	Up-the-Coax, protocol: HIKVISION-C (HD-TVI output)
Dimensions	3.58" × 3.25" × 2.69" (91 mm × 82.6 mm × 68.3 mm)
Weight (approximate)	0.77 lb (350 g)

Dimensions



Accessories

						
PC110T Pendant Cap	PM Pole Mount Adapter	CM Corner Mount	CBS Conduit Base	ABS Inclined Ceiling Mount Bracket	DS-1H18 Video Balun	X41T Video Tester