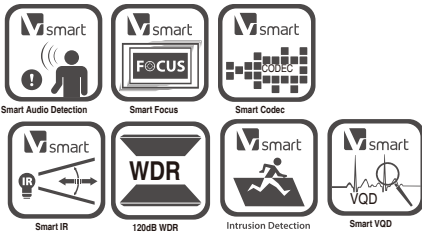


DS-2CD4112FWD-IZ

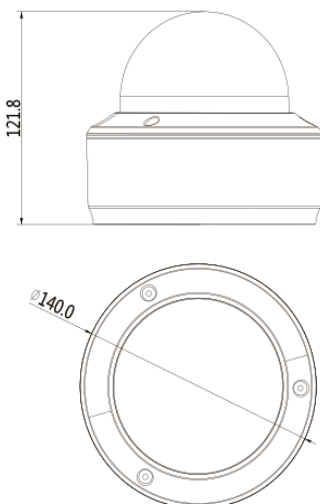
1.3 MP WDR Indoor Dome Network Camera



Key Features

- Up to 1280 x 960 High Resolution
- HD720p Video
- Smart Codec
- 120 dB WDR, 3D DNR
- Triple Streams
- On-Board Storage, Up to 128 GB
- Smart Focus: Motorized VF Lens
- Smart Audio Detection
- Intrusion Detection
- Smart IR
- Defog
- People Counting

Dimension (unit: mm)



Camera	
Image Sensor	1/3" progressive scan CMOS
Minimum Illumination	Color: 0.014 lux @ f/1.4, AGC on, 0 lux with IR
Shutter Speed	1 s to 1/100,000 s
Slow Shutter	Yes
Lens	2.8 mm to 12 mm @ f/1.4, angle of view: 98.4° to 30.2° (motorized VF lens)
Lens Mount	Ø14
Angle Adjustment	Pan: 0° to 355°, tilt: 0° to 75°, rotation: 0° to 355°
Auto Iris	DC drive
Day/Night	ICR (auto/schedule/alarm trigger)
Digital Noise Reduction	3D DNR
Wide Dynamic Range	120 dB WDR
Compression Standard	
Video Compression	H.264/MPEG4/MJPEG
H.264 Codec Profile	Baseline/main/high profile
Video Bit Rate	32 Kbps to 16 Mbps
Audio Compression	G.711/G.726/MP2L2
Audio Bit Rate	64 Kbps (G.711)/16 Kbps (G.726)
Image	
Maximum Resolution	1280 x 960
Frame Rate	30 fps (1280 × 960), 30 fps (1280 × 720)
Third Stream	Independent setting, up to: 30 fps (1280 x 960)
Image Settings	Rotate mode, saturation, brightness, contrast, grayscale adjustable through client software or Web browser
BLC	Yes, zone configurable
Defog	Yes
EIS	Yes
Picture Overlay	128 x 128, BMP 24-bit, zone configurable
ROI	Yes, up to 4 configurable areas for each of 3 streams
Network	
Network Storage	NAS
Alarm Trigger	Intrusion detection, defocus detection, motion detection, line crossing detection, dynamic analysis, tampering alarm, network disconnect, IP address conflict, storage exception
Protocols	TCP/IP, ICMP, HTTP, HTTPS, FTP, DHCP, DNS, DDNS, RTP, RTSP, RTCP, PPPoE, NTP, UPnP, SMTP, SNMP, IGMP, 802.1X, QoS, IPv6, Bonjour
Security	User authentication, watermark, IP address filtering, anonymous access, reset
System Compatibility	ONVIF, PSIA, CGI
Interface	
Audio Input	1-ch 3.5 mm audio interface, mic in/line in
Audio Output	1-ch 3.5 mm audio interface
Communication Interface	1 RJ-45 10M/100M Ethernet port, 1 RS-485 interface, 1 RS-232 interface
Alarm I/O	1/1
Video Output	1 Vp-p composite output (75 Ω/BNC)
On-Board Storage	Built-in microSD/SDHC/SDXC card slot, up to 128 GB
General	
Operating Conditions	-30° C to 60° C (-22° F to 140° F), humidity 95% or less (non-condensing)
Power Supply	12 VDC ±10%, PoE (802.3af)
Power Consumption	Maximum 10 W (IR on: 2 W)
IR Range	Up to 30 meters
Impact Protection	IEC60068-275Eh, 50J; EN50102, up to IK10
Dimensions	Ø 140 mm × 121.8 mm (Ø5.51" × 4.80")
Weight	1400 g (3.09 lbs.)

Order Model

DS-2CD4112FWD-IZ