

### DS-2AE4223T-A

#### TurboHD 2 MP Outdoor PTZ Dome Camera

- 1/3" Progressive Scan CMOS
- 1920 x 1080
- 23x Optical Zoom
- DWDR
- 3D Intelligent Positioning Function
- Supports TurboHD and BNC Output
- IP66, IK10
- 24 VAC, 18 W



The Hikvision DS-2AE4223T-A 2 MP PTZ Dome Camera provides high definition analog output up to 1080p. TurboHD means that the analog signal can be sent over existing coaxial cable, eliminating the need to run new cables for high definition video.

The 4 mm to 92 mm 23x lens allows the correct angle of view to fit any situation. Digital WDR (Wide Dynamic Range) ensures images will be optimal, no matter what the lighting conditions.

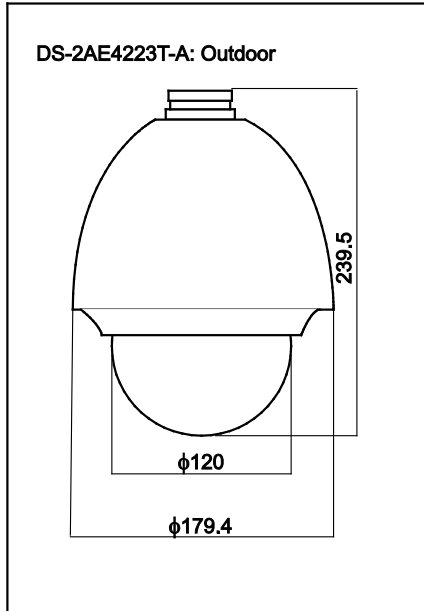
The camera also features a range of Smart functions, including line crossing, intrusion, and region entrance and exit, benefitting users with great improvements on security efficiency and, more importantly, with key events and objects being recorded for further forensic needs.

#### Available Models:

DS-2AE4223T-A: Outdoor



Dimensions



DS-2AE4223T-A	
<b>Camera Module</b>	
Image Sensor	1/3" progressive scan CMOS
Minimum Illumination	Color: 0.05 lux @ f/1.6, AGC on; B/W: 0.01 lux @ f/1.6, AGC on
Max. Image Resolution	1920 x 1080
Focal Length	4 mm to 92.0 mm, 23x
Digital Zoom	16x
Zoom Speed	Approximately 3s (optical wide to tele)
Angle of View	49° to 2.2° (wide to tele)
Min. Working Distance	10 mm to 1,000 mm (wide to tele)
Aperture Range	f/1.6 to f/3.7
Focus Mode	Auto/semiautomatic/manual
DWDR	Supported
S/N Ratio	□ 50 dB
Shutter Speed	1 s to 1/10,000 s
AGC	Auto/manual
White Balance	Auto/manual/ATW/indoor/outdoor
Day/Night	IR cut filter
Privacy Mask	8 privacy masks programmable; a maximum of 8 zones can be masked simultaneously on the same video screen
Enhancement	3D DNR, BLC, EIS
<b>Pan and Tilt</b>	
Range	Pan: 360° endless; tilt: 0° to 90° (auto flip)
Speed	Pan manual speed: 0.1° to 160°/s, pan preset speed: 160°/s tilt manual speed: 0.1° to 120°/s, tilt preset speed: 120°/s
Number of Presets	256
Patrols	8 patrols, up to 32 presets per patrol
Patterns	4 patterns, with the total recording time not less than 10 minutes
Park Actions	Preset/patrol/pattern/pan scan/tilt scan/panorama scan
Scheduled Tasks	Preset/patrol/pattern/pan scan/tilt scan/panorama scan
RS-485	
Communication	Supported
Diagnosis	
<b>Input/Output</b>	
TurboHD Output	1 TurboHD 720p/1080p output, 1.0 V[p-p]/75 Ω, NTSC (or PAL) composite, BNC
CVBS Outputs	1.0 V[p-p]/75 Ω, NTSC (or PAL) composite, BNC
Alarm Inputs	2
Alarm Outputs	1
RS-485 Interface	Half-duplex mode Self-adaptive HIKVISION, Pelco-P, Pelco-D protocol
UTC Function	HIKVISION_C
<b>General</b>	
Menu Language	English
Power	24 VAC, maximum 18 W
Working Temperature/ Humidity	-22° F to 149° F (-30° C to 65° C) Humidity: 90% or less
Protection Level	IP66, IK10, TVS 4,000 V lightning, surge, and voltage transient protection
Mounting	Various mounting modes optional
Dimensions	Φ7.28" × 12.99" (Φ185 mm × 330 mm)
Weight (approximate)	8.81 lbs (4 kg)

Accessories

<b>WMP-S</b> Short wall mount for 4" PTZ	<b>WMP-L</b> Long Wall Mount	<b>CMP</b> Large Corner Mount for WMP-S/L	<b>PMP</b> Pole Mount for WMP-S/L	<b>JBP-W</b> Power Box Mount w/Wall Bracket	<b>PMPL</b> Large Pole Mt for JBP-W	<b>CMPL</b> Large Corner Mt for JBP-W	<b>CPM-S</b> Short Ceiling Pendant Mt	<b>CPM-L</b> Long Ceiling Pendant Mt	<b>CPMPE</b> Ceiling Pendant Mount Ext Pipe	<b>RPM</b> Roof Parapet Mt