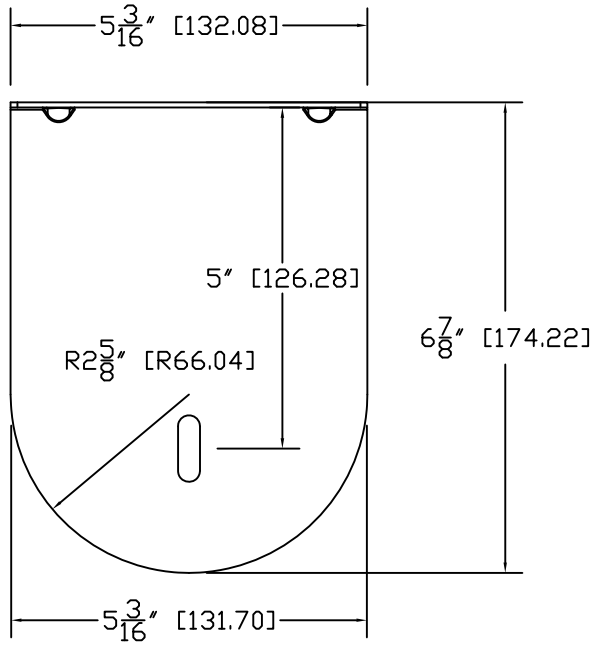
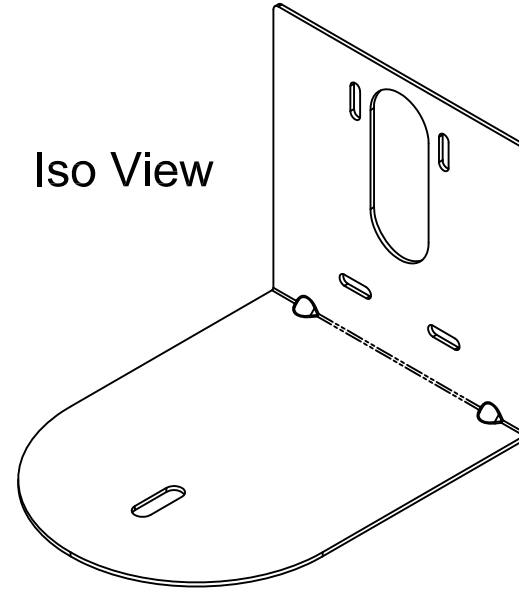


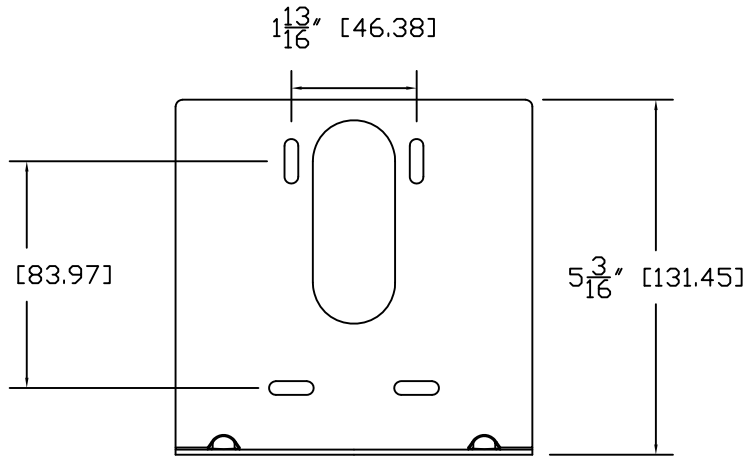
Top View



Iso View

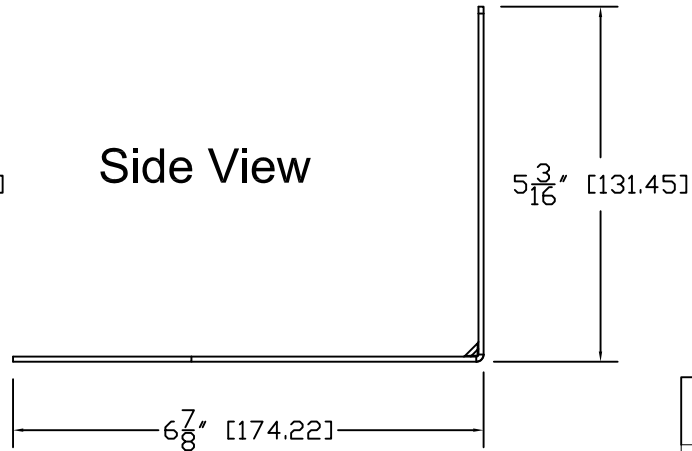


3 5/16" [83.97]



Front View

Side View



GENERAL NOTES:

DIMENSIONS ARE IN INCHES (mm) UNLESS OTHERWISE NOTED.
 DO NOT DISTRIBUTE WITHOUT EXPRESS WRITTEN PERMISSION
 OF VADDIO. DUE TO OUR CONTINUING EFFORTS TO ENHANCE
 OUR PRODUCTS, WE RESERVE THE RIGHT TO CHANGE
 SPECIFICATIONS WITHOUT PRIOR NOTICE OR OBLIGATION.



UNLESS OTHERWISE NOTED DIMENSIONAL LIMITS APPLY AFTER FINISH		THIS DRAWING, INCLUDING ALL SUBJECT MATTER INDICATED THEREON OR HEREIN, IS UNCLASSIFIED INFORMATION AND IS THE EXCLUSIVE PROPERTY OF VADDIO. All Rights Reserved-Copyright © 2007	
DESIGNED BY JAS		PART NO. 535-2000-205 for Sony EVI-D70	
CHECKED BY RAR		DATE 02/22/07	
DRAWN BY JAS		SCALE 1:1	
MATERIAL CRS SHT .075 14 GA. 3010		FINISH PVD, FLAT POWDER COAT	
TITEL Thin Profile Wall Mount ValveVIEW 70 PTZ		SHEET 1-1	
		DRAWING NO. 205	
		REV. A	